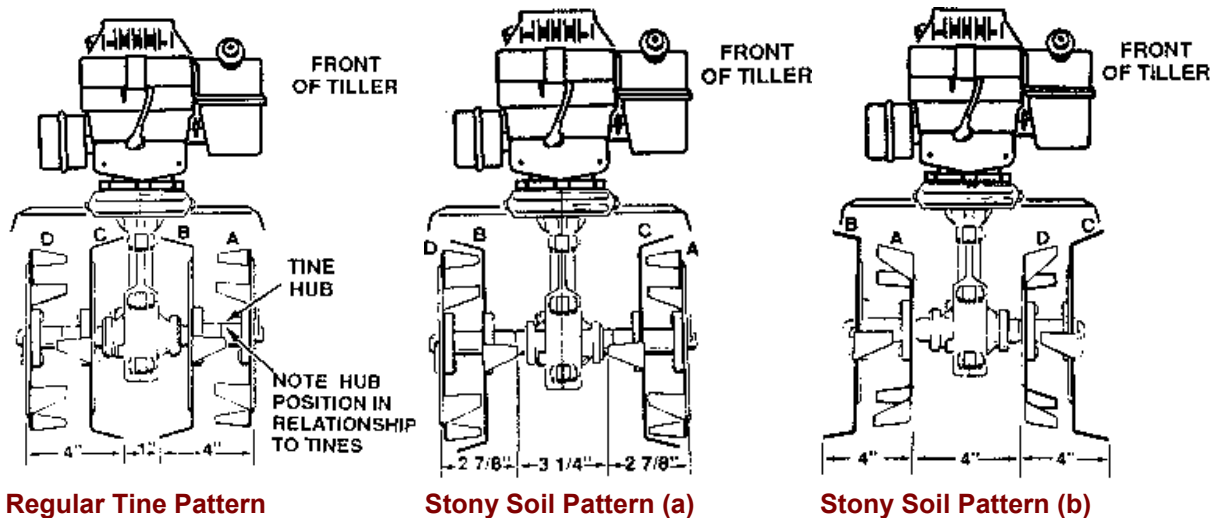


L'I'L HOE Tine Patterns for Stony or Rocky Soil

If you are tilling in stony or rocky soil, and experience continual rock jams, there are two additional tine patterns that will help alleviate the problem.

- 1) Shut off engine.
- 2) Disconnect spark plug wire

Wearing heavy gloves, remove tines and re-install in one of the two stony soil patterns shown in Fig. 12. If you experience difficulty in removing tines, as a result of dirt or other foreign matter on shaft, you may wish to apply a penetrating oil on the shaft. When re-installing the tines make sure tine shaft and tine hubs are clean and free of foreign material. The tines should easily slide onto the shaft. "DO NOT FORCE THE TINES ONTO THE SHAFT"



Regular Tine Pattern

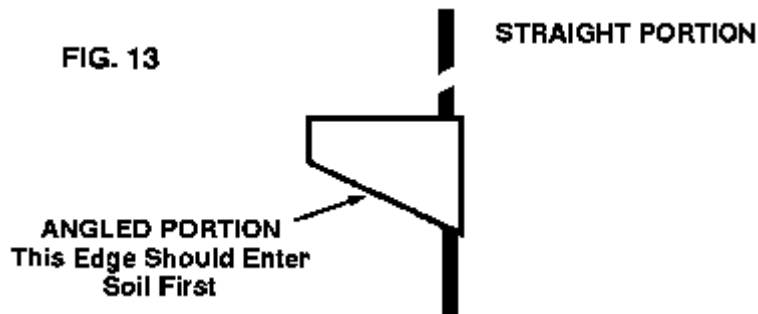
Stony Soil Pattern (a)

Stony Soil Pattern (b)

Fig. 12:

NOTE: In the stony soil tine patterns the center gap is wider than in regular tine pattern, see Fig. 12. This will require additional passes to till this unfilled area.

When the tines are properly mounted, the angled portions of the tine blade should enter the soil first, not the straight portions, see Fig. 13



NARROW CULTIVATING

The two outer tines can be removed to give you a narrower cultivating width. This width is approximately 6". This will give you the ability to get between very closely spaced plants. In order to do this, pull the hairpin out of the hole in the outboard end of the tine shaft. Slide the tines off the tine shaft and place a tine spacer, included with your tiller, over the tine shaft. Secure the spacer with the hairpin cotter in the outer hole.