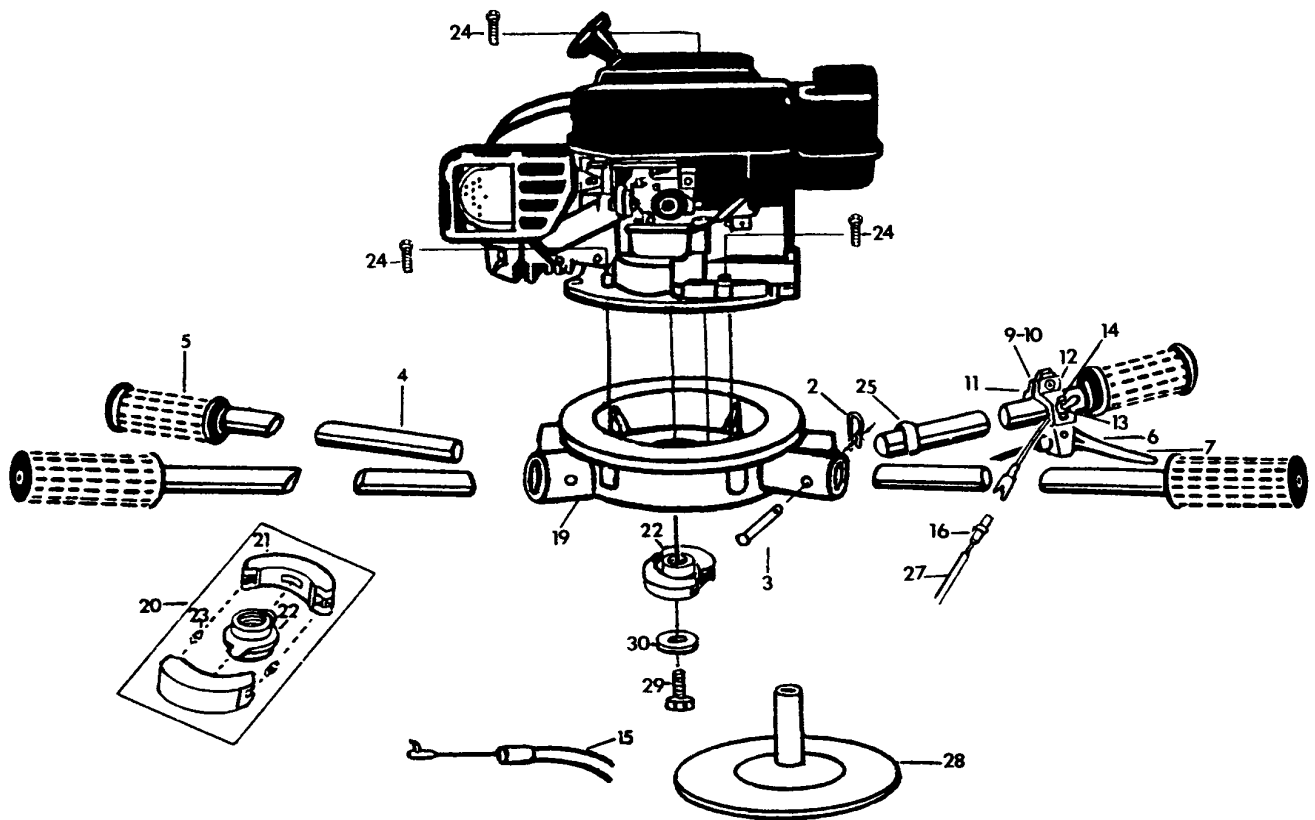


PH. 2000E - HANDLEBARS-THROTTLE-ON/OFF SWITCH-CLUTCH ASSEMBLIES



ITEM NO.	ORDER NO.	DESCRIPTION	QTY. REQ.
2	10893S	Hairpin Cotter	4
3	217873S	Clevis Pin	4
4	203702S	Handlebar	4
5	203675S	Grip, Handlebar 7/8	4
6	211240S	Throttle Control Assembly, Includes 7 thru 14	1
7	209300S	Lever, Throttle Control Assembly	1
8	209381S	Clamp, 7/8	1
9	205594S	Screw 10-32 x 3/4 Ph. Hd.	1
10	205595S	Nut 10-32	1
11	209372S	On/Off Switch w/Bracket, Includes 12-13-14	1
12	209303S	Bracket	1
13	205719S	Nut	1
14	205718S	Face Plate	1
15	217869S	Throttle Cable	1
16	217872S	Harness	1
19	208104S	Mounting Plate	1
20	217895S	Clutch Assembly, Includes 21-22-23	1
21	204495S	Shoe	2
22	217894S	Hub	1
23	202296S	Spring, Yellow	2
24	217916S	Screw 5/16-18 x 1 1/2 Engine to Bracket	3
25	214206S	Tie Strap, 1"	2
27	217898S	Throttle Cable/Harness Cover	1
28	217913S	Stand	1
29	217866S	Bolt 3/8 - 24x1	1
30	200702S	Lock Washer	1