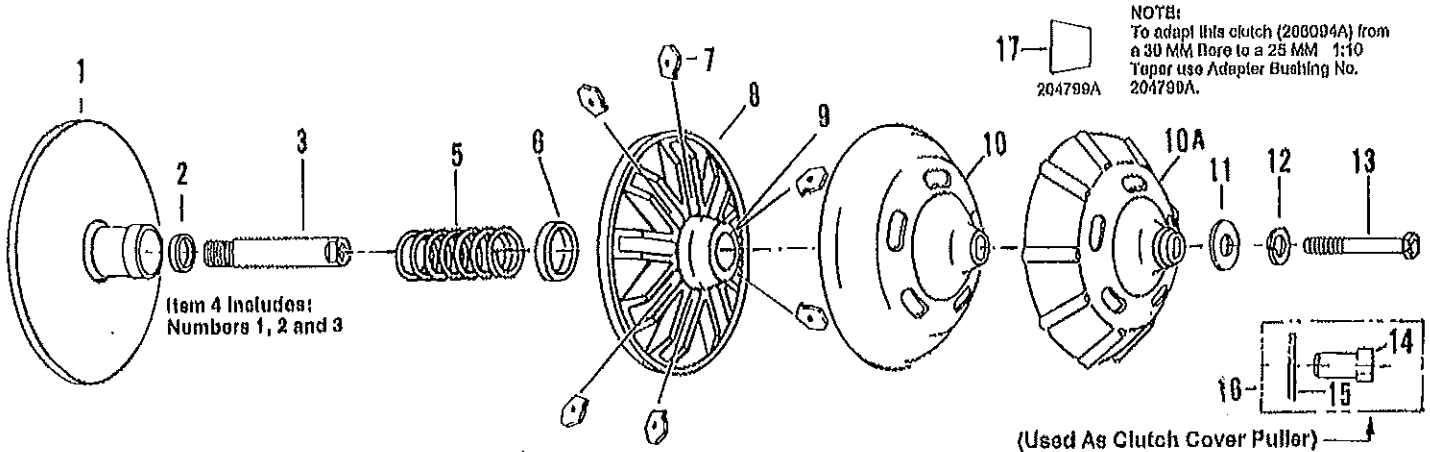


94C CLUTCH PARTS CROSS REFERENCE

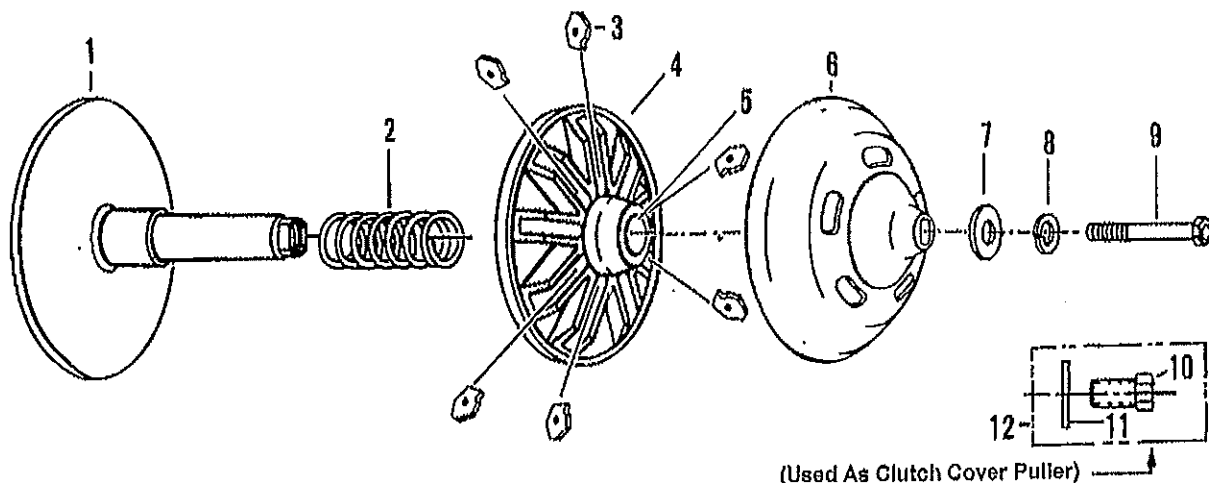


ITEM #	DESCRIPTION	CLUTCH PART NUMBER				
		206094A	206096A	209942A	211493A	211879A
1	FIXED FACE	205762A	N/A	N/A	205762A	N/A
2	SPACER KIT	205744A	N/A	N/A	205744A	N/A
3	STEM	205580A	N/A	N/A	205580A	N/A
4	FIXED FACE WITH STEM	205716A	206967A	209946A	205716A	211882A
5	SPRING	205583A	205583A	205818A	205583A	205583A
6	SPACER	N/A	N/A	205740A	N/A	N/A
7	ACTIVATOR PUCK	205918A	205918A	206143A	211477A	205918A
8	MOVABLE FACE W/BRGS	205764A	206968A	205764A	205764A	205764A
9	UPPER GUIDE BUSHING	205561A	205561A	205561A	205561A	205561A
10	SMOOTH COVER	205760A	205760A	205760A	N/A	205760A
10 A	RIBBED COVER	N/A	N/A	N/A	211489A	N/A
11	FLAT WASHER	205746A	205835A	205746A	205746A	205746A
12	LOCK WASHER	205761A	205836A	205761A	205761A	205761A
13	MOUNTING BOLT	205591A	205834A	205591A	205591A	205591A
14	PULLER BOLT	205747A	205747A	205747A	205747A	205747A
15	FLAT WASHER	205748A	205748A	205748A	205748A	205748A
16	PULLER KIT, BOLT & WASHER	206189A	206189A	206189A	206189A	206189A
17	25MM ADAPTER	204799A	N/A	N/A	204799A	N/A
	PULLER ROD	205817A	205839A	205839A	205817A	205839A
	PULLER KIT, ROD & BOLT	205838A	205840A	205840A	205838A	205840A
	BELT WIDTH	1-1/4	1-3/8	1-5/16	1-1/4	1-5/16
	ENGAGEMENTS	3100 RPM	3100 RPM	3100 RPM	3300 RPM	3100 RPM
		BORE DEPTH "0" (Flush) 30MM DIA. TAPER STARTS HERE	BORE DEPTH ".012" 30MM DIA. TAPER STARTS HERE	BORE DEPTH "0" (Flush) 30MM DIA. TAPER STARTS HERE	BORE DEPTH "0" (Flush) 30MM DIA. TAPER STARTS HERE	BORE DEPTH ".236" 30MM DIA. TAPER STARTS HERE

(continued on reverse side)

94C CLUTCH PARTS CROSS REFERENCE

(continued)



(Used As Clutch Cover Puller)

ITEM #	DESCRIPTION	CLUTCH PART NUMBER					OBS PARTS REF ONLY	
		206095A	209739A	206097A	206098A	212629A	213051A	
1	FIXED FACE WITH STEM	205816A	209738A	205759A	205758A	212630A	213050A	
2	SPRING	205858A	205858A	205858A	205847A	212631A	212631A	
3	ACTIVATOR PUCK	206514A	206514A	205918A	205918A	205918A	205918A	
4	MOVABLE FACE WITH BUSHING	205755A	205755A	205755A	205755A	205755A	205755A	
5	UPPER GUIDE BUSHING	205753A	205753A	205753A	205753A	205753A	205753A	
6	SMOOTH COVER	205760A	205760A	205760A	205760A	205760A	205760A	
7	FLAT WASHER	200841A	200841A	205748A	205748A	205746A	205746A	
8	LOCK WASHER	200702A	200702A	205864A	205864A	205761A	205761A	
9	MOUNTING BOLT	205917A	205917A			205591A	205591A	
10	PULLER BOLT	205747A	205747A	205747A	205747A	205747A	205747A	
11	FLAT WASHER	205748A	205748A	205748A	205748A	205748A	205748A	
12	PULLER KIT, BOLT & WASHER	206189A	206189A	206189A	206189A	206189A	206189A	
	PULLER ROD	N/A	N/A	N/A	N/A	205817A	205817A	
	PULLER KIT, ROD & BOLT	N/A	N/A	N/A	N/A	205838A	205838A	
	BELT WIDTH	1-1/4	1-3/16	1-3/16	1-3/16	1-1/4	1-1/4	
	ENGAGEMENTS	1800 RPM	1800 RPM	3000 RPM	4000 RPM	3100 RPM	3100 RPM	
		1"	1-1/8"	3/4 X 16 THREADED ROTAX ENGINE	7/8 X 14 THREADED ROTAX ENGINE	BORE DEPTH 30MM DIA. TAPER STARTS HERE 	BORE DEPTH 30MM DIA. TAPER STARTS HERE 	